

BRIGHTWORK

COLLECTION HANDCRAFTED BASINS



Our Brightwork Collection is a curated assortment of specialty metal sinks inspired by the 'Brightwork' on sailboats. Like the sunlight sparkling on the ocean on a clear day, these unique pieces bring brilliance to your bathroom or bar.



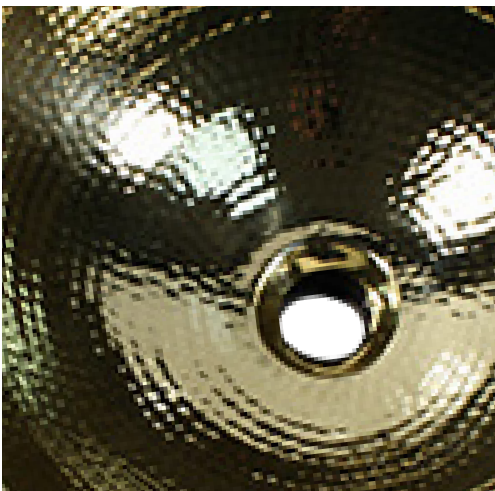
Our Brightwork Collection is a curated assortment of specialty metal sinks inspired by the 'Brightwork' on sailboats.

Like the sunlight sparkling on the ocean on a clear day - these unique pieces will bring brilliance to your bathroom or bar.



BRIGHTWORK

COLLECTION **HANDCRAFTED BASINS**



Care & Maintenance

- Before initial use, seal the finish with a superior quality carnauba paste wax (repeat every 6 months to protect the living finish).
- Wash gently daily with a small amount of soap and a soft damp cloth. Use a mild soap, free of anti-bacterial properties that may contain bleach (e.g. The original Dawn®).
- Rinse thoroughly and hand dry (never use steel wool or a scouring pad or sponge to clean the surface).

****The use of any cleaners or disinfectants other than mild soap and water will void the warranty. Also, personal care and everyday use products (e.g. face cleansers, toothpaste, male grooming products, wine, fruit acid, and ketchup) can and will alter the finish voiding the warranty.***

- To keep your copper sink in optimal condition simply use a mild soap and water; then wipe the sink dry after each use.
- To maintain the luster of the copper and provide better water runoff, use a superior quality carnauba paste wax to seal the finish.

BATHROOM



OVS-OF

With Overflow



OVS

No Overflow



- Solid Stainless Steel Construction
- Drain Opening 1.5" - Requires Standard Bathroom Sink Drain Which Is Not Included.
- Hand Hammered - Each Piece Is Unique.
- Limited Manufacturer's Warranty (Not For Finish).
- Unlacquered Finish Will Patina.
- Special Care & Maintenance Required.
- Nominal dimensions - May Vary By .25".

PREMIUM 18 GAUGE STAINLESS STEEL UNDERMOUNT BATHROOM SINK WITH OVERFLOW

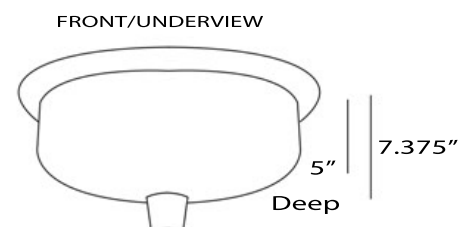
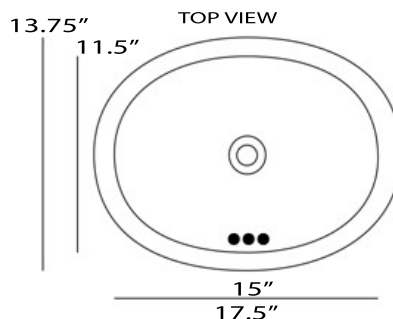
TECHNICAL INFORMATION

Overall Dimensions:
17.5" x 13.75"

Interior Bowl:
15" x 11.5"

Interior Bowl Depth:
5"

Overall Height:
7.375"



SINKS

TRB-OF



PREMIUM 16 GAUGE BRASS UNDERMOUNT BATHROOM SINK WITH OVERFLOW

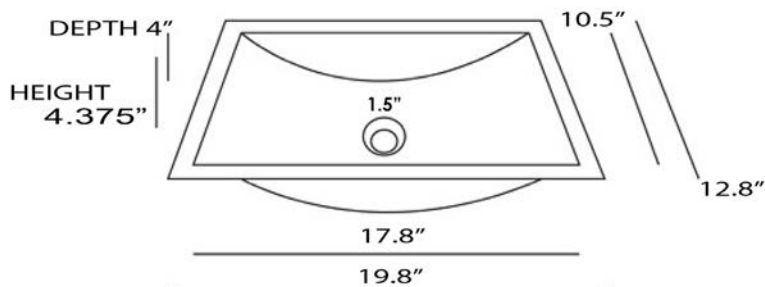
TECHNICAL INFORMATION

Overall Dimensions:
19.8" x 12.8"

Interior Bowl:
17.8" x 10.5"

Interior Bowl Depth:
4"

Overflow:
Yes



(Nominal Dimensions*) Actual Dimensions may vary



- Solid Brass Construction
- Hand Hammered - each piece is unique.
- Limited Manufacturer's Warranty (Not For Finish).
- Unlacquered Brass Will Patina.
- Special Care & Maintenance Required.
- Nominal Dimensions - May Vary By .25".



BATHROOM

TRB2416-OF



- Solid Brass Construction
- Requires Standard Bathroom Sink Drain With Overflow Which Is Not Included.
- Hand Hammered - Each Piece Is Unique.
- Limited Manufacturer's Warranty (Not For Finish).
- Unlacquered Finish Will Patina.
- Special Care & Maintenance Required.
- Nominal Dimensions - May Vary By .25".



PREMIUM 16 GAUGE BRASS UNDERMOUNT BATHROOM SINK WITH OVERFLOW

TECHNICAL INFORMATION

Overall Dimensions:
23.5" x 15.5"

Interior Bowl:
21.5" x 13.5"

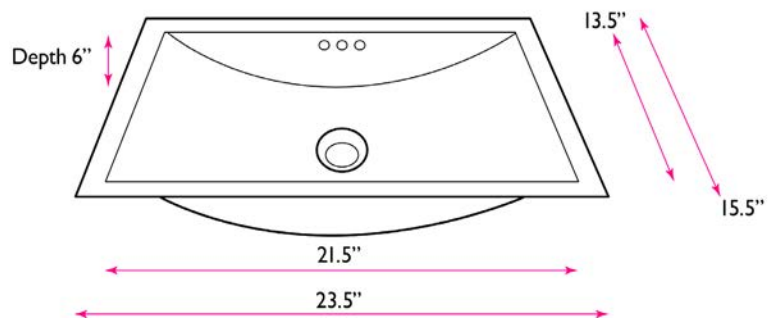
Interior Bowl Depth:
6"

Drain Opening:
1.5"

Overflow:
Yes



Top / Front View



SINKS

TRB1914-OF



**PREMIUM 18 GAUGE BRASS
UNDERMOUNT OR TOP MOUNT
BATHROOM SINK WITH OVERFLOW**

**TECHNICAL
INFORMATION**

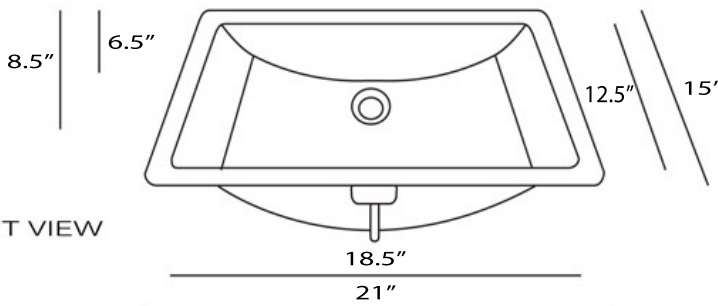
Overall Dimensions:
21" x 15" X 8.5"

Interior Bowl:
18.5" x 12.5"

Ext. Height / Int. Bowl Depth:
8.5" / 6.5"

Drain Opening:
1.5"

Overflow:
Yes



TOP/FRONT VIEW



- Solid Brass Construction
- Requires Standard Bathroom Sink Drain With Overflow Which Is Not Included.
- Hand Hammered - Each Piece Is Unique.
- Limited Manufacturer's Warranty (Not For Finish).
- Lacquered Finish Will Not Patina.
- Special Care & Maintenance Required.
- Nominal Dimensions - May Vary By .25".



BATHROOM

RLS-OF



- RLS-OF - Solid Stainless Steel Construction
- RLB-OF - Solid Brass Construction
- Requires Standard Bathroom Sink Drain With Overflow Which Is Not Included.
- Hand Hammered - Each Piece Is Unique.
- Limited Manufacturer's Warranty (Not For Finish).
- Unlacquered Finish Will Patina.
- Special Care & Maintenance Required.
- Nominal Dimensions - May Vary By .25".

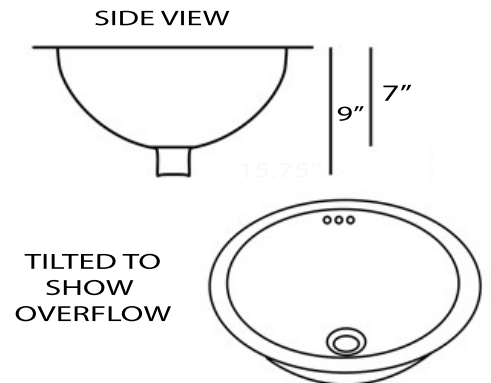
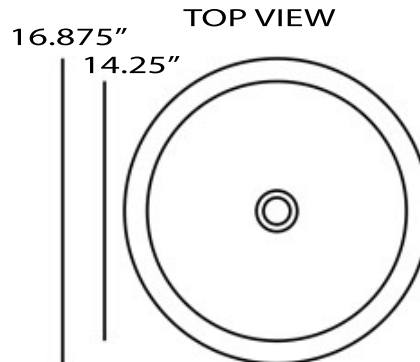


TECHNICAL INFORMATION

Overall Dimensions:
16.875" Diameter
Interior Bowl:
14.25" Diameter

Interior Bowl Depth:
7"
Drain Opening:
1.5"
Overflow:
Yes

PREMIUM 18 GAUGE STAINLESS STEEL OR 16 GAUGE BRASS UNDERMOUNT BATHROOM SINK WITH OVERFLOW



RLB-OF



ROS No Overflow
ROS-OF With Overflow



Overflow Assembly Shown



TECHNICAL INFORMATION

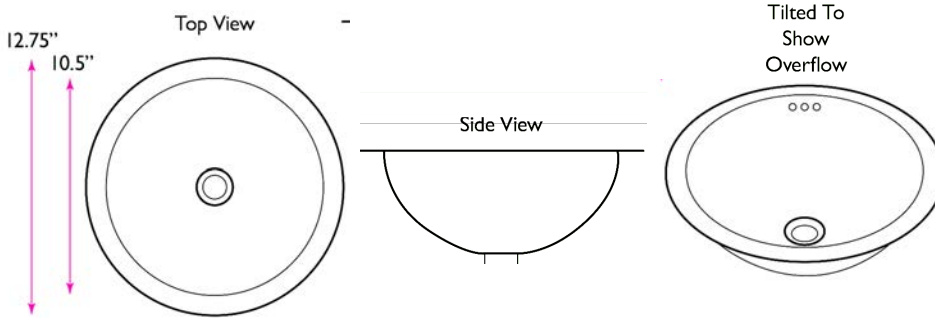
Overall Dimensions:
 12.75" Diameter

Interior Bowl:
 10.5" Diameter

Interior Bowl Depth:
 5"

Drain Opening:
 1.5" Bath Drain
 (With Overflow)
 2.5" Bar Drain
 (No Overflow)

PREMIUM 18 GAUGE STAINLESS STEEL OR 16 GAUGE BRASS UNDERMOUNT BATHROOM SINK WITH OVERFLOW



ROB-OF With Overflow

ROB No Overflow



- ROS-OF - Solid Stainless Steel Construction
- ROB-OF - Solid Brass Construction
- ROS-OF And ROB-OF Require Standard Bathroom Sink Drains With Overflow Which Are Not included.
- ROS And ROB Requires Standard Bar Sink Drains which are not Included. Compatible drain Is NS-403SS (Stainless) Or NS-403PB (Brass) Junior Duo Drain.



- Hand Hammered - Each Piece Is Unique.
- Limited Manufacturer's Warranty (Not For Finish).
- Unlacquered Finish Will Patina.
- Special Care & Maintenance Required.
- Nominal Dimensions - May Vary By .25".

BATHROOM SQRC-OF



- Solid Copper Construction
- Drain Opening 1.5" - Requires Standard Bathroom Sink Drain Which Is Not Included.
- Hand Hammered - Each Piece Is Unique.
- Limited Manufacturer's Warranty (Not For Finish).
- Unlacquered Finish Will Patina.
- Special Care & Maintenance Required.
- Nominal Dimensions - May Vary By .25".



PREMIUM 18 GAUGE COPPER UNDERMOUNT BATHROOM SINK WITH OVERFLOW

TECHNICAL INFORMATION

Overall Dimensions:
16.25" Square

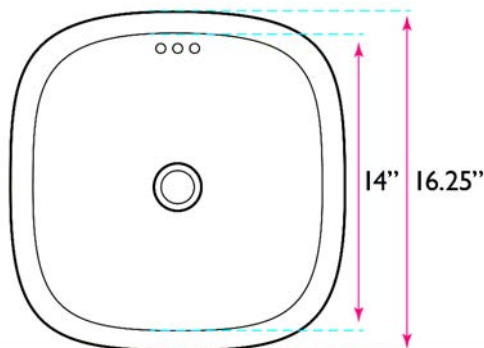
Interior Bowl:
14" Square

Interior Bowl Depth:
5"

Drain Opening:
1.5"

Overflow:
Yes

Top View



TRS48-OF



**PREMIUM 18 GAUGE STAINLESS STEEL
UNDERMOUNT BATHROOM SINK
WITH OVERFLOW**

**TECHNICAL
INFORMATION**

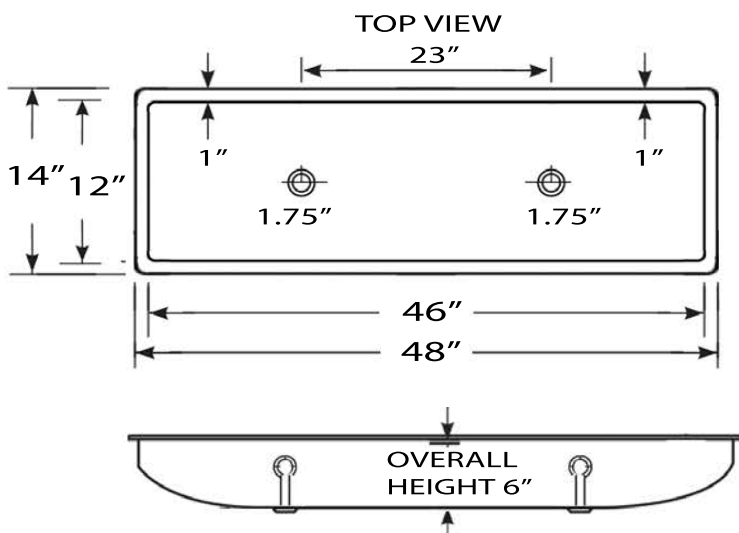
Overall Dimensions:
48"x14"x6"

Interior Bowl:
46"x12"

Interior Bowl Depth:
5.875"

Drain Opening:
1.75"

Overflow:
Yes



- Solid Stainless Steel Construction
- Drain Opening 1.5" - Requires Standard Bathroom Sink Drain Which Is Not Included.
- Hand Hammered - Each Piece Is Unique.
- Limited Manufacturer's Warranty (Not For Finish).
- Unlacquered Finish Will Patina.
- Special Care & Maintenance Required.
- Nominal Dimensions - May Vary By .25".





- Solid Stainless Steel Construction
- TRS-OF Requires Standard Bathroom Sink Drain With Overflow Which Is Not Included.
- Hand Hammered - each piece is unique.
- Limited Manufacturer's Warranty (Not For Finish).
- Unlacquered Finish Will Patina.
- Special Care & Maintenance Required.
- Nominal Dimensions - May Vary By .25".

TRS No Overflow

TRS-OF With Overflow



TRS-SM SMOOTH FINISH No Overflow



PREMIUM 18 GAUGE STAINLESS STEEL UNDERMOUNT BATHROOM SINK

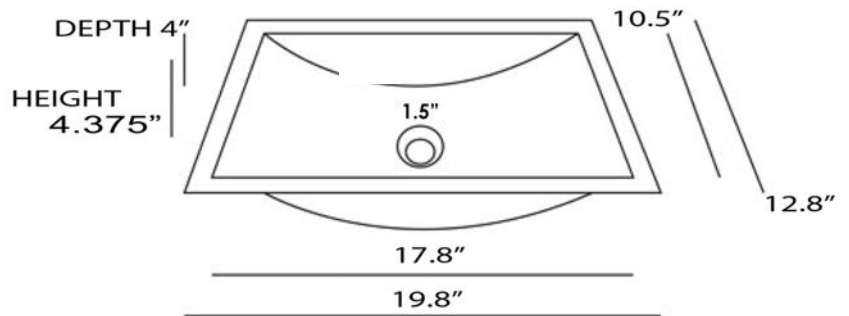
TECHNICAL INFORMATION

Overall Dimensions:
19.8" x 12.8"

Interior Bowl:
17.8" x 10.5"

Interior Bowl Depth: 4"

Overflow: No



BAR

RES



**PREMIUM 18 GAUGE STAINLESS STEEL
OR 16 GAUGE BRASS UNDERMOUNT OR
TOP MOUNT BAR SINK**

TECHNICAL INFORMATION

Overall Dimensions:
17.5" x 14.625" x 5.75"

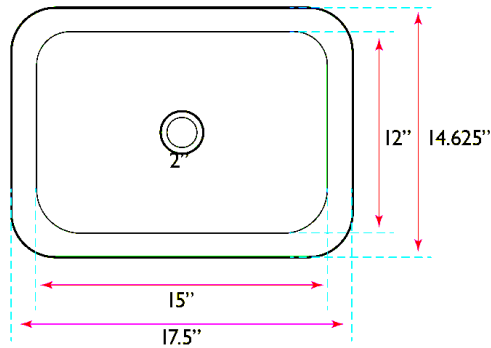
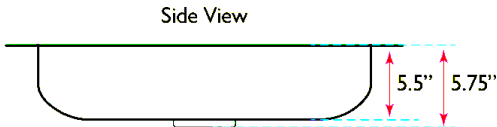
Interior Bowl:
15" x 12"

Interior Bowl Depth:
5"

Drain Opening:
2.5"

Overflow:
No

Top View



REB



- RES - Solid Stainless Steel Construction
- REB - Solid Brass Construction
- Requires Standard Bar Sink Drain Which Not Included. Compatible Drain Is NS-403SS (Stainless) Or NS-403PB (Brass) Junior Duo Drain.



- Hand Hammered - Each Piece Is Unique.
- Limited Manufacturer's Warranty (Not For Finish).
- Unlacquered Finish Will Patina.
- Special Care & Maintenance Required.
- Nominal Dimensions - May Vary By .25".



BAR

SQRS-7



**PREMIUM 18 GAUGE STAINLESS STEEL
OR 16 GAUGE BRASS UNDERMOUNT
OR TOP MOUNT BAR SINK**

- SQRS-7 - Solid Stainless Steel Construction
- Requires Standard Bar Sink Drain Which is Not Included.



SHOWN:
NS35LCC-CH

- SQRB-7 - Solid Brass Construction
- Requires Standard Bar Sink Drain Which is Not Included.



SHOWN:
3.5KDPB

- Hand Hammered - Each Piece Is Unique.
- Limited Manufacturer's Warranty (Not For Finish).
- Unlacquered Finish Will Patina.
- Special Care & Maintenance Required.
- Nominal Dimensions - May Vary By .25".

TECHNICAL INFORMATION

Overall Dimensions:
16.5" Square

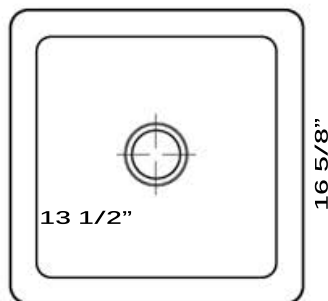
Interior Bowl:
13.5" Square

Interior Bowl Depth:
6.75"

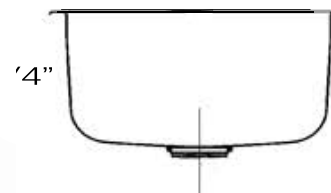
Exterior Height:
7"

Drain Opening:
3.5"

TOP VIEW



SIDE VIEW



SQRB-7



RS15-SS



**PREMIUM 18 GAUGE
STAINLESS STEEL
OR 16 GAUGE BRASS
UNDERMOUNT OR
TOP MOUNT BAR SINK**

TECHNICAL INFORMATION

Overall Dimensions:
15" Diameter

Interior Bowl:
13"

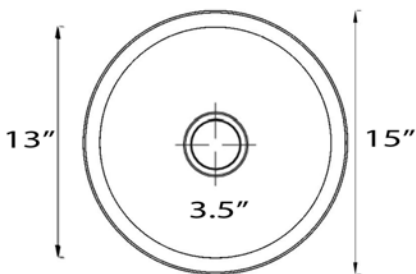
Interior Bowl:
13" Diameter

Drain Opening:
3.5"

Bowl Depth:
8"

Garbage Disposal Safe

TOP VIEW



**18" SINK BASE
RECOMMENDED**

SIDE VIEW



RS15-UB



- RS15-SS - Solid Stainless Steel Construction
- RS15-UB - Solid Brass Construction
- Requires Standard Kitchen Sink Drain Which Not Included. Compatible Drain Is NS35LCC-CH or 3.5KD-PB (Brass)



- Garbage Disposal Safe
- Hand Hammered - Each Piece Is Unique.
- Limited Manufacturer's Warranty (Not For Finish).
- Unlacquered Brass and Stainless Steel Finishes Will Patina.
- Solid Brass or Stainless can be polished without damage
- Special Care & Maintenance Required.
- Nominal Dimensions - May Vary By .25".



KITCHEN

KSSH-PS-3220



**PREMIUM 16 GAUGE STAINLESS STEEL
UNDERMOUNT OR TOP MOUNT KITCHEN SINK
INTEGRAL ACACIA WOOD CUTTING BOARD INCLUDED
Add Optional Bottom Grid: BG-SSPRO3018 - Shown in Sink**

- KSSH-PS-3220
Solid Stainless
Steel Construction
- Requires Standard
Kitchen Sink Drain
Which Is Not Included.
- Garbage Disposal Safe
- Hand Hammered -
Each Piece Is Unique.
- Limited Manufacturer's
Warranty (Not For Finish).
- Unlacquered Finish
Will Patina.
- Special Care &
Maintenance Required.
- Nominal Dimensions -
May Vary By .25".



TECHNICAL INFORMATION

Overall Dimensions:
32"x20"

Interior Bowl:
30"x15.5"

Interior Bowl Depth:
9.5"

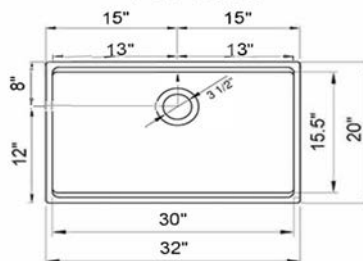
Drain Opening:
3.5"

Garbage Disposal Safe

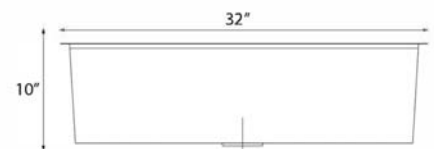
Overflow:
No

33" SINK BASE RECOMMENDED

TOP VIEW



FRONT VIEW



SINKS

FSH3322



**PREMIUM 16 GAUGE STAINLESS STEEL
FARM APRON KITCHEN SINK**
Add Optional Bottom Grid: BG-FC3320CA

TECHNICAL INFORMATION

Overall Dimensions:
33"x22"

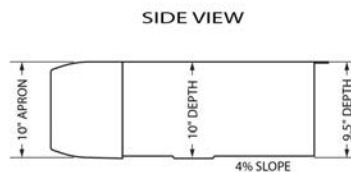
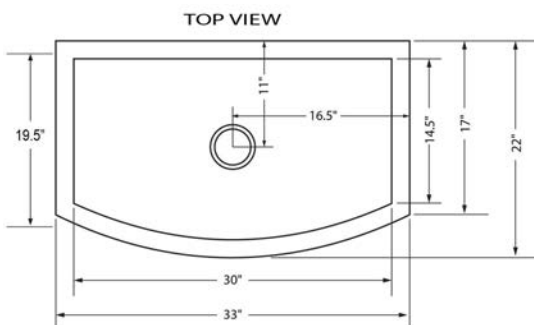
Interior Bowl:
30"x19.5" FRONT
30"x14.5" SIDES

Interior Bowl Depth:
9.5"

Drain Opening:
3.5"
Garbage Disposal Safe

Overflow:
No

36" SINK BASE RECOMMENDED



- FSH3322
Solid Stainless Steel Construction
- Requires Standard Kitchen Sink Drain Which Not Included.
- Garbage Disposal Safe
- Hand Hammered - Each Piece Is Unique.
- Limited Manufacturer's Warranty (Not For Finish).
- Unlacquered Finish Will Patina.
- Special Care & Maintenance Required.
- Nominal Dimensions - May Vary By .25".



TECHNICAL INFORMATION

Overall Dimensions:
23" X 18"

Interior Bowl:
21" X 16"

Interior Bowl Depth:
KSSH2318-9: 9"
KSSH2318-12: 12"

Drain Opening:
3.5"

Overflow:
No

24" Sink Base Recommended

- Garbage Disposal Safe.
- Limited Manufacturer's Warranty (Not For Finish).
- Special Care & Maintenance Required.
- Nominal Dimensions - May Vary By .25".

KSSH2318-9

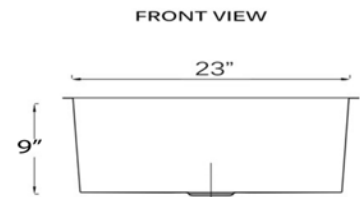
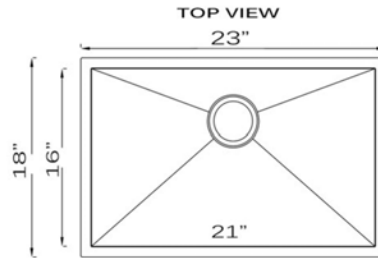
9" DEPTH

KSSH2318-12

12" DEPTH



PREMIUM 16 GAUGE STAINLESS STEEL UNDERMOUNT OR TOP MOUNT KITCHEN SINK



KSSH3219-10

TECHNICAL INFORMATION

Overall Dimensions:
32" X 19"

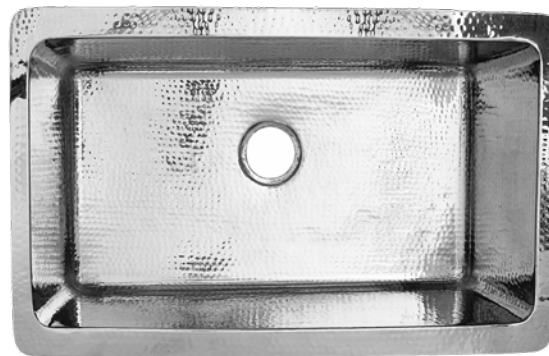
Interior Bowl:
30" X 16"

Interior Bowl Depth:
9.5"

Drain Opening:
3.5"

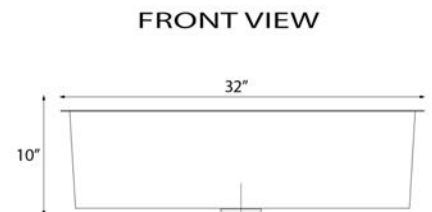
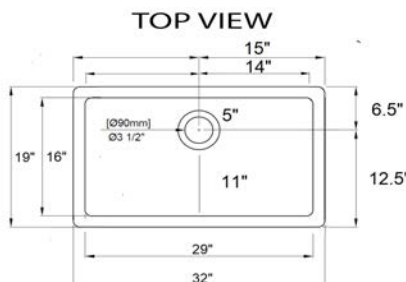
Overflow:
No

33" Sink Base Recommended



Optional Bottom Grid:
BG-SSPRO3018

PREMIUM 16 GAUGE STAINLESS STEEL UNDERMOUNT OR TOP MOUNT KITCHEN SINK

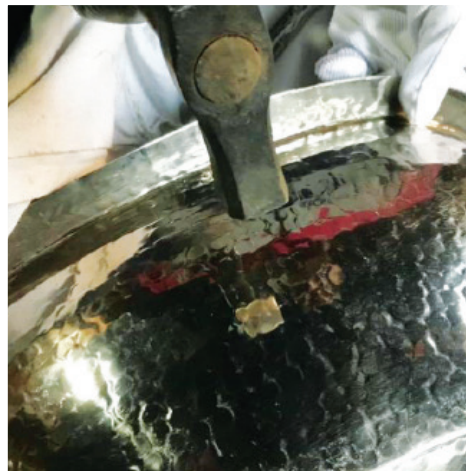


The Process of Hammered Sinks



For our Brightwork bathroom and bar sinks, a custom mold is used to create its shape. Either a sheet of Brass, Copper or Stainless Steel is put on a mold while a one ton press is lowered onto it. The press is then lifted to reveal the newly formed sink.

Now, the artisan steps in to hand-hammer the sink, adding texture and interest. For a bathroom sink, an extension for the drain is welded to the bottom of the bowl and the overflow welded to the bowl. The basin is then punched to create the drain opening.



The uniquely crafted piece is set for the final polishing to add smooth luster and sparkle. The finished sink is complete and ready to bring distinction and style to your bar or bathroom.



Care & Maintenance

- Before initial use, seal the finish with a superior quality carnauba paste wax (repeat every 6 months to protect the living finish).
- Wash gently daily with a small amount of soap and a soft damp cloth. Use a mild soap, free of anti-bacterial properties that may contain bleach (e.g. The original Dawn®).
- Rinse thoroughly and hand dry (never use steel wool or a scouring pad or sponge to clean the surface).

****The use of any cleaners or disinfectants other than mild soap and water will void the warranty. Also, personal care and everyday use products (e.g. face cleansers, toothpaste, male grooming products, wine, fruit acid, and ketchup) can and will alter the finish voiding the warranty.***

- To keep your copper sink in optimal condition simply use a mild soap and water; then wipe the sink dry after each use.
- To maintain the luster of the copper and provide better water runoff, use a superior quality carnauba paste wax to seal the finish.

BRIGHTWORK

COLLECTION HANDCRAFTED BASINS

Our Brightwork Collection is a curated assortment of specialty metal sinks inspired by the 'Brightwork' on sailboats. Like the sunlight sparkling on the ocean on a clear day, these unique pieces bring brilliance to your bathroom or bar.

