



Cape Collection

FIRECLAY SINKS



V01 2024



Nantucket
S I N K S

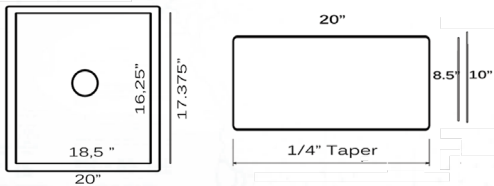
SINGLE BOWL FIRECLAY

Grid(s) and drain(s) included. All dimensions are nominal +/- .25".

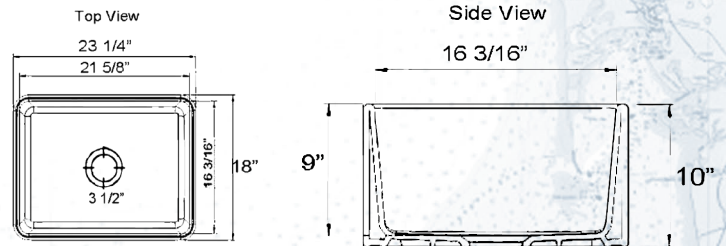
Cape Collection

FIRECLAY SINKS

T-FCFS20



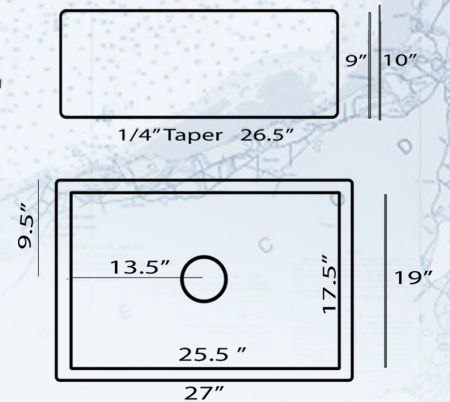
T-FCFS24



*DOES NOT REQUIRE EXTENDED FERRULE

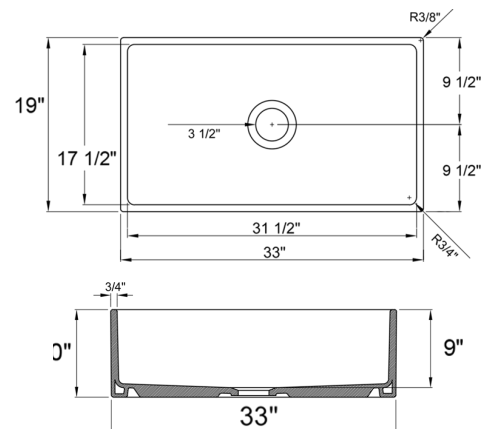


T-FCFS27



T-FCFS33

SHOWROOM ONLY SPECIAL



SINGLE BOWL FIRECLAY
Grid(s) and drain(s) included. All dimensions are nominal +/- .25"



FIRECLAY SINKS

Cape Collection



T-FCFS3019-OSD

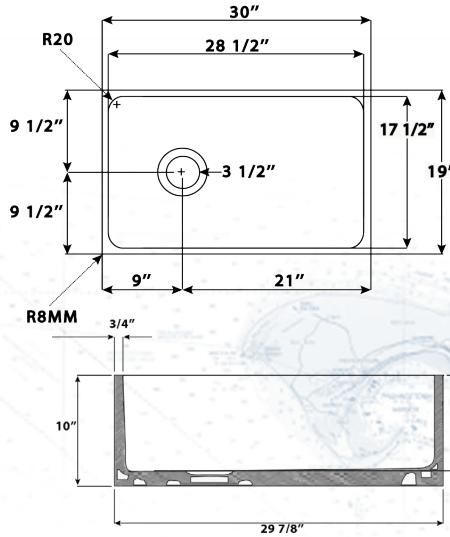
White

T-FCFS3019CB-OSD

Coffee Brown

T-FCFS3019G-OSD

Bluff Grey



Reversible
drain
orientation



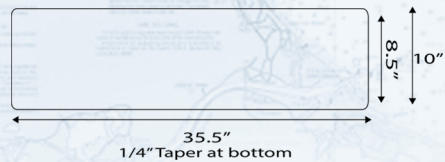
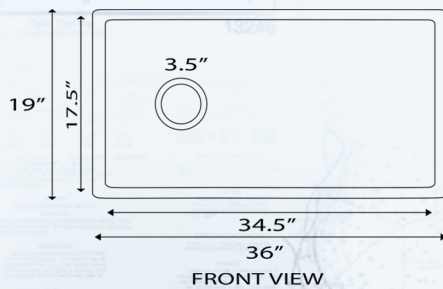
SHOWROOM
ONLY
SPECIAL



*DOES NOT
REQUIRE
EXTENDED
FERRULE

T-FCFS36 (with offset drain)

Reversible Drain Orientation





Nantucket
S I N K S

DOUBLE BOWL FIRECLAY

Grid(s) and drain(s) included. All dimensions are nominal +/- .25"

Cape Collection

FIRECLAY SINKS

T-FCFS33-DBL

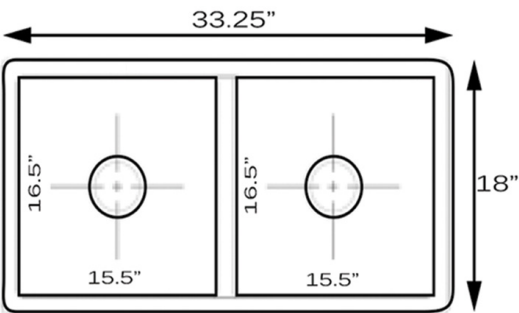
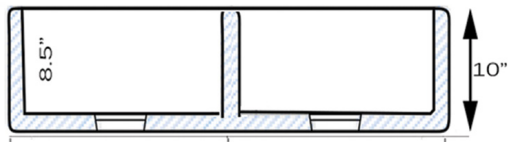
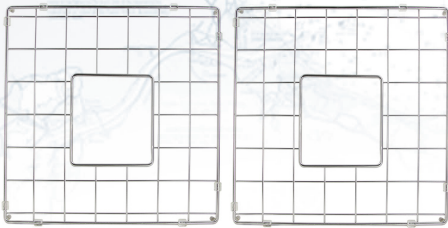
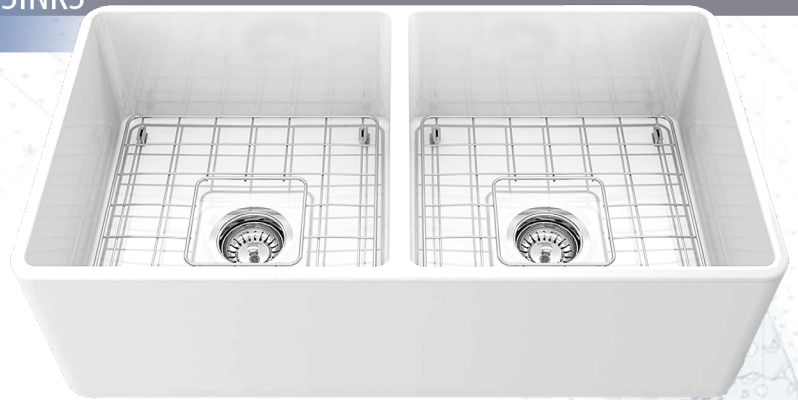
White

T-FCFS33G-DBL

Bluff Grey

T-FCFS33CB-DBL

Coffee Brown



SINGLE BOWL FIRECLAY
All dimensions are nominal +/- .25"



FIRECLAY SINKS

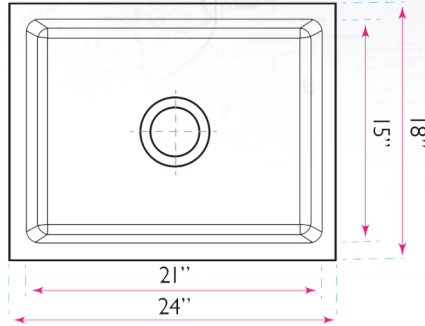
Cape Collection



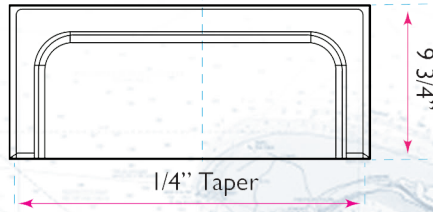
CHATHAM-24

Included Grid: **BG-HC24**
REVERSIBLE

Top View



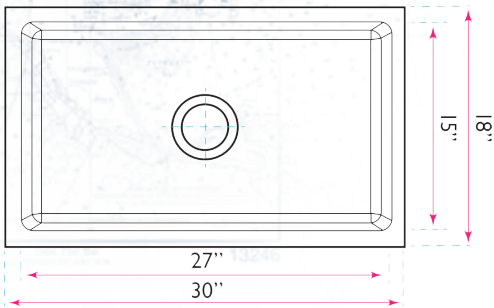
Side View



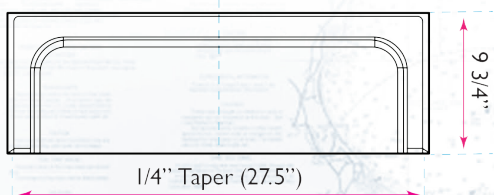
CHATHAM-30

Included Grid: **BG-HC30**
REVERSIBLE

Top View



Side View

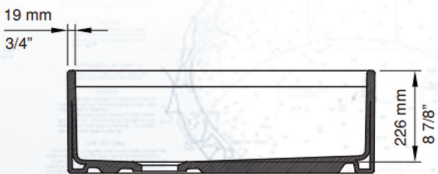
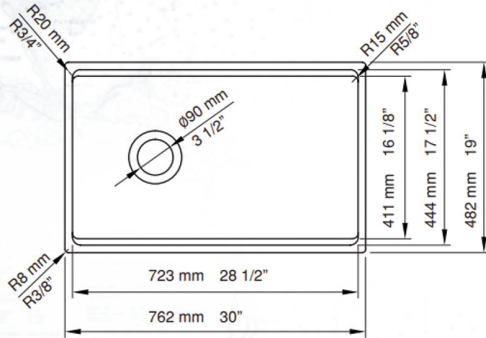


Cape Collection

FIRECLAY SINKS

T-PS30W

GRID, DRAIN AND CUTTING BOARD INCLUDED



T-PS33W

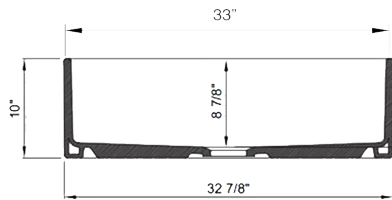
GRID, DRAIN AND CUTTING BOARD INCLUDED



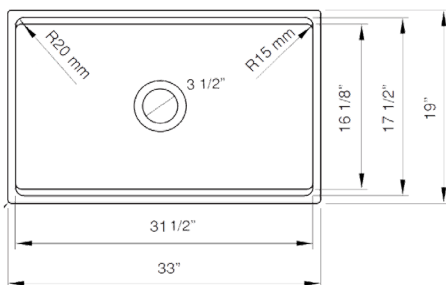
T-PS33MB



Front View



Top View



SPECIALTY + WORKSTATION FIRECLAY

All dimensions are nominal +/- .25"



FIRECLAY SINKS

Cape Collection

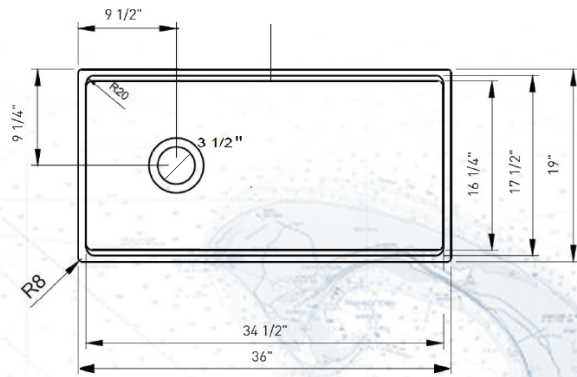


T-PS36W WHITE

GRID, DRAIN AND CUTTING BOARD INCLUDED

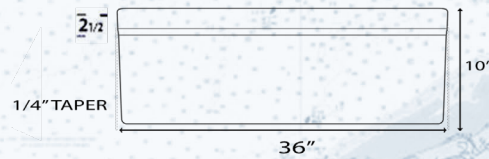
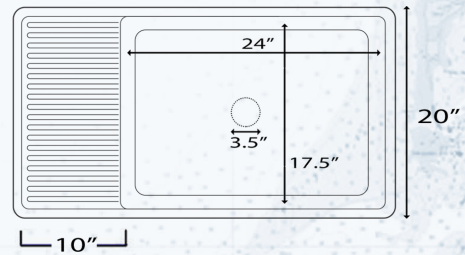


T-PS36MB MATTE BLACK



FCFS36-DB

Optional grid available
BG-FCFS36-DB





Nantucket
S I N K S

SINGLE BOWL FIRECLAY

All dimensions are nominal +/- .25"

Cape Collection

FIRECLAY SINKS

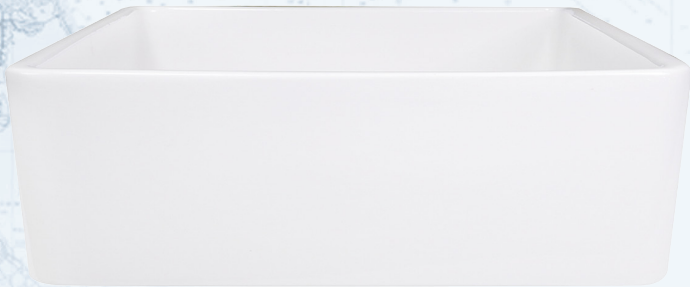
FCFS3020-FL

Optional grid available: **BG-VC30S**

REVERSIBLE



FLAT FRONT



FLUTED FRONT



FCFS3320-FL REVERSIBLE

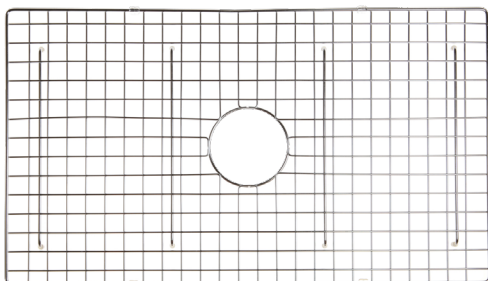
Optional grid available: **BG-VC33S**



FLAT FRONT



FLUTED FRONT



ADDITIONAL COLORS AND FINISHES ARE AVAILABLE IN OUR VINEYARD COLLECTION

Vineyard

COLLECTION
FIRECLAY SINKS



SINGLE BOWL FIRECLAY

All dimensions are nominal +/- .25"



Nantucket S I N K S

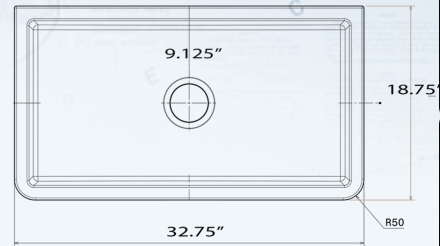
FIRECLAY SINKS

Cape Collection



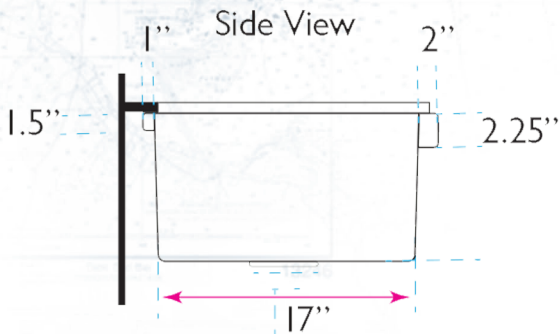
HARWICH-33

Optional grid available: **BG-HA33**

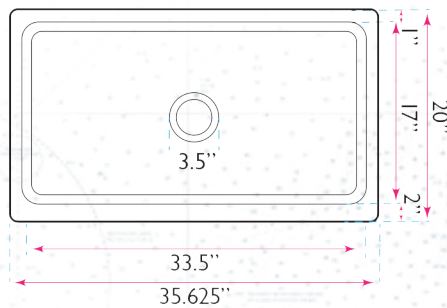
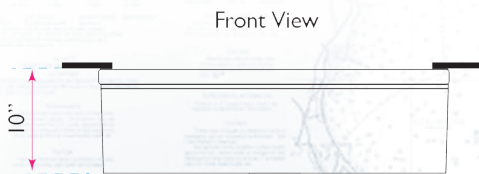


YARMOUTH-36W

Optional grid available: **BG-YM36**



Top View

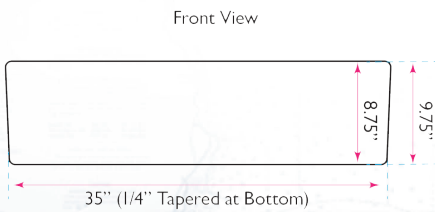
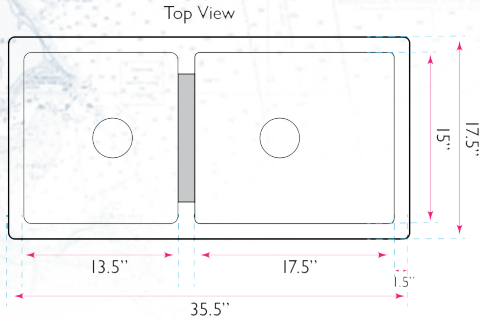




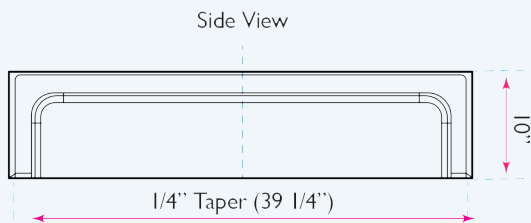
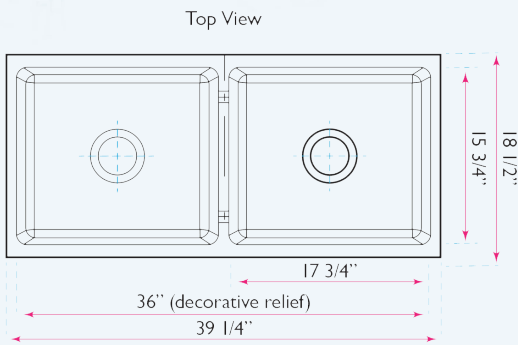
. All dimensions are nominal +/- .25"

HYANNIS-36-DBL
REVERSIBLE

FRAME FRONT



CHATHAM-39-DBL
Included Grid Set: **BG-HC39**
REVERSIBLE



KITCHEN PREP FIRECLAY



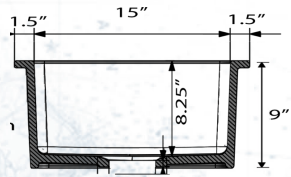
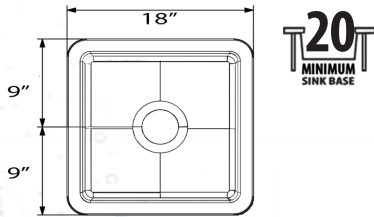
FIRECLAY SINKS

Cape Collection

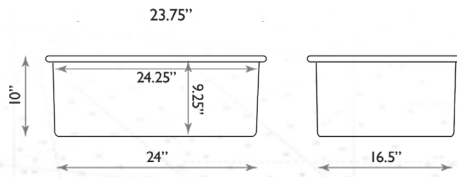
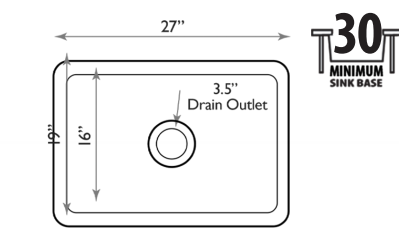
WELLFLEET SINK Grids & Drains INCLUDED

All dimensions are nominal +/- .25"

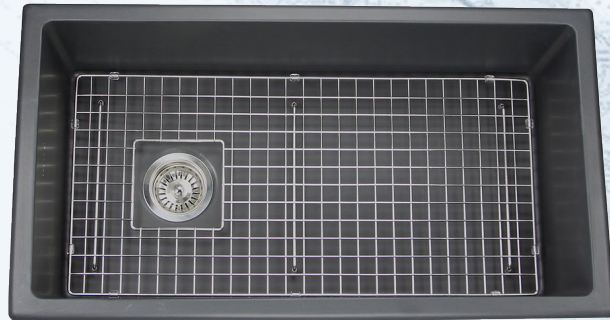
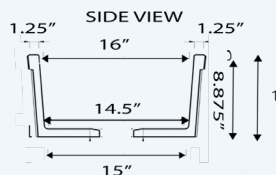
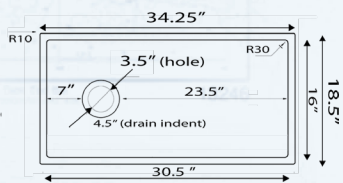
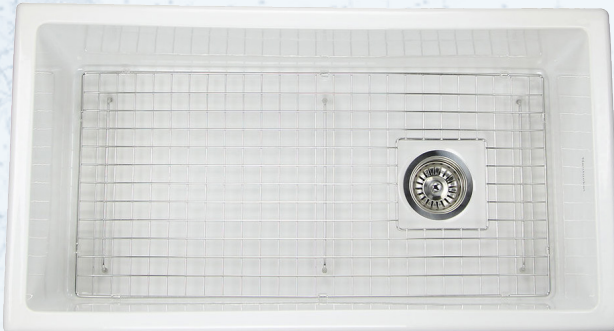
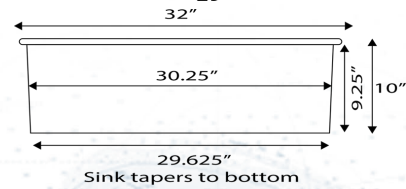
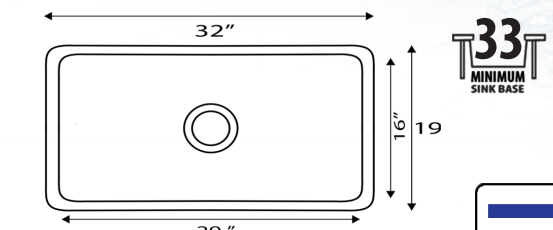
WELLFLEET-1818W



WELLFLEET-2719W



WELLFLEET-3218W



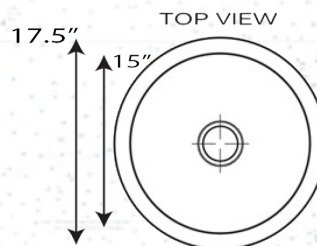
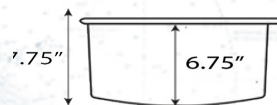
WELLFLEET-3419W WELLFLEET-3419MATTEBLACK

Reversible drain orientation



HYANNIS-18 Bar/Prep

Drain not included



Cape Collection

FIRECLAY SINKS

The two main raw materials that make up highly refined fine fireclay are Kaolin and Feldspar. The casting process uses high pressure molds. The raw materials go through milling and mixing, to produce what is called the “body slip”. This slip is a liquified suspension of clay. The raw slip is pumped into molds under extreme pressure for 45 minutes. The sinks are then moved to drying chambers where they are monitored in 15 hour cycles until the humidity is reduced to the desired level. The sinks are then individually inspected for any production issues.

After thorough inspection and approval, glaze is applied in a triple rotation process along the production line to ensure maximum coverage. When the glazing is complete, they are fired in shuttle kilns for 16 hours. A specific time and temperature formula is used for maximum durability. Temperatures can reach a maximum 1200°C degrees (close to 2200°F). After the firing process is complete, another rigorous inspection again takes place for the entire production run. Only sinks that meet the accepted dimensional tolerance will become Nantucket Fireclay Sinks.



THE UNIVERSAL FEATURES OF FIRECLAY

This eco-friendly sink option uses sustainable material and can return to the earth at the end of your sink's usage. Fireclay sinks can handle high temperatures, are naturally resistant to bacteria, and can absorb sound. The porcelain enamel glazed surface on these hand finished artisan sinks also resists staining.



Watch for these icons for each sink. The overall sink base measurement will appear with product. Most will require custom cabinets and pro installation with a FARMSINK BASE. Sinks may have a traditional thick wall, or a contemporary thin one, and may also be dual mount or under-mount only. Lastly, FIRECLAY sinks are heavy, you'll need 2 people to lift.

