

Nantucket



Rockport
collection

Granite Composite

Nantucket

SINKS



ROCKPORT COLLECTION

Welcome to our product catalog, where we proudly present our exquisite collection of Granite Composite Sinks. Crafted with meticulous attention to detail, our Granite Composite Sinks blend stunning aesthetics with unmatched durability. Each sink in this collection showcases the unique qualities of granite composite, combining natural beauty with advanced engineering. Whether you seek a sleek and modern design or a classic and timeless appeal, our collection offers a diverse range of styles, sizes, and finishes to suit every taste and space.

GRANITE COMPOSITE SINKS

- HIGH QUALITY GRANITE COMPOSITE
- HEAT RESISTANT TO OVER 560°
- HYGIENIC NON-POROUS MATERIAL
- SCRATCH RESISTANT
- RESILIENT TO FADING



ROCKPORT COLLECTION

PR1815

- 15" x 18" Dualmount Granite Composite Bar/Prep Sink

BLACK | WHITE | TITANIUM | TRUFFLE

PR2522-DM

- 25" x 22" Dualmount Granite Composite Laundry Sink

BLACK | WHITE | TITANIUM | TRUFFLE

PR3020-APS

- Granite Composite Reversible Farmhouse Kitchen Sink with included Cutting Board, Rollup Mat, Matching Drain, and Disposal Trim Ring

BLACK | WHITE | TITANIUM | GREY

PR3320-APS

- Granite Composite Reversible Farmhouse Kitchen Sink with included Cutting Board, Rollup Mat, Matching Drain, and Disposal Trim Ring

BLACK | WHITE | TITANIUM | GREY



Granite Composite

PR1815

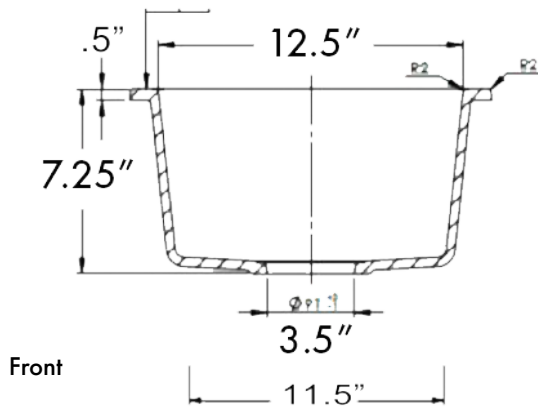
15" x 18" Dualmount Granite Composite Bar/Prep Sink

Features:

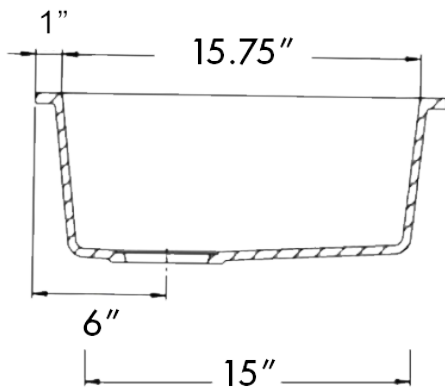
- Premium Granite Composite Kitchen Sink
- 80% Stone 20% Bonding Agent
- Scratch Resistant | Heat Resistant to over 560° Fahrenheit
- Hygienic non-porous surface
- Limited manufacturer's warranty
- Material is sound absorbing and stain-resistant
- Fits a 24" cabinet base minimum (No Template)

Dimensions:

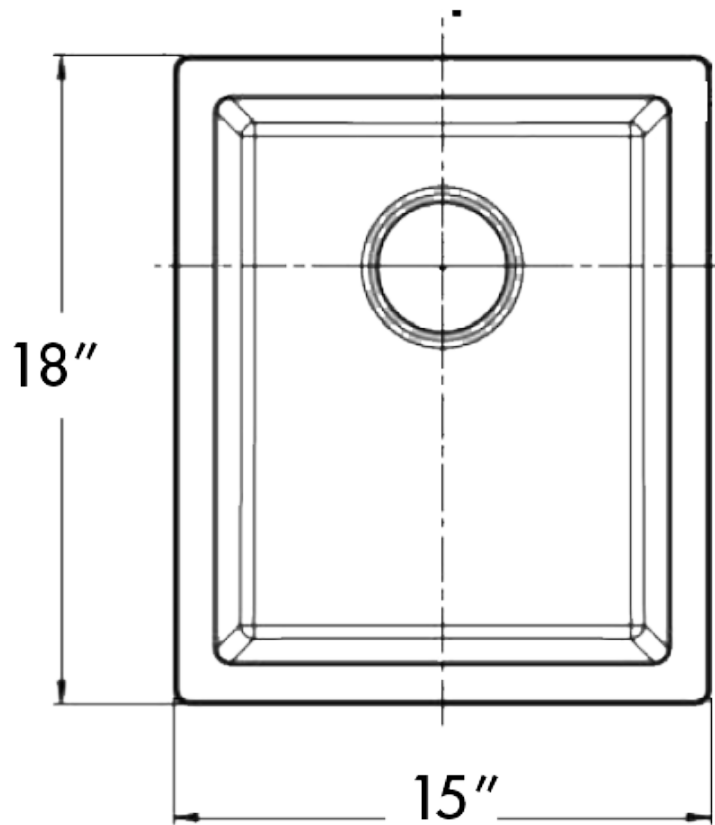
- Overall Dimensions: 15" W x 18" L
- Interior Bowl: 12.5" W x 15.75" L
- Exterior Height: 7.65"
- Interior Depth: 7"
- Drain Dimensions: 3.5"



Front



Side



Top

PR1815-TI

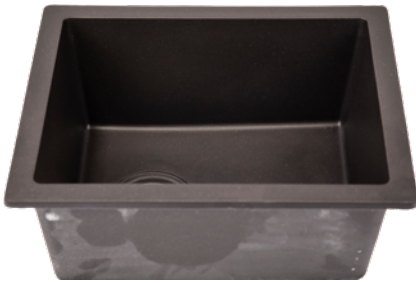
TITANIUM

PR1815-TI-BL

BLACK

PR-1815-W

WHITE



PR2522-DM

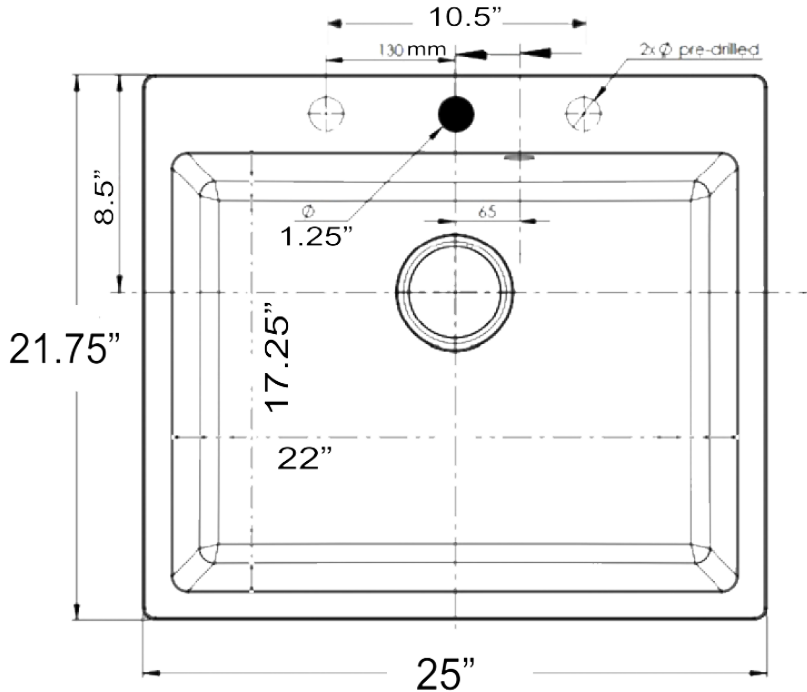
25" x 22" Single Dualmount Granite Composite Laundry Sink

Features:

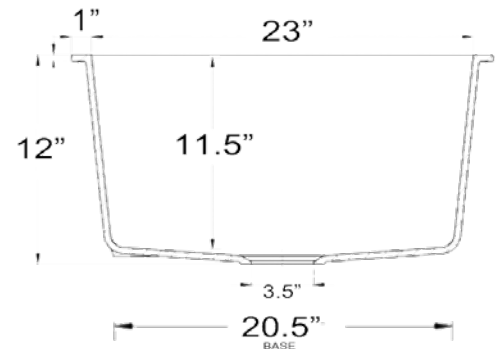
- Premium Granite Composite Laundry Sink
- 80% Stone
- Scratch Resistant | Heat Resistant to over 560° Fahrenheit
- Hygienic non-porous surface
- Limited manufacturer's warranty
- Material is sound absorbing and stain-resistant
- Fits a 30" cabinet base minimum (No Template)

Dimensions:

- Overall Dimensions: 25" W x 21.75" L x 12"
- Interior Bowl: 23" W x 17.25" L
- Interior Depth: 11.5"
- Exterior Base: 20.5" W x 15" L
- Drain Dimensions: 3.5"



Top



Front

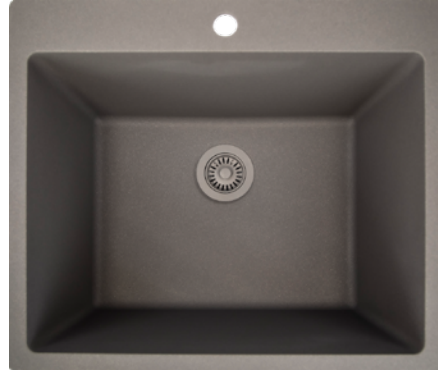
PR2522-DM-BL

BLACK



PR2522-DM-TI

TITANIUM



PR2522-DM-TR

TRUFFLE



PR2522-DM-W

WHITE



PR3020-APS

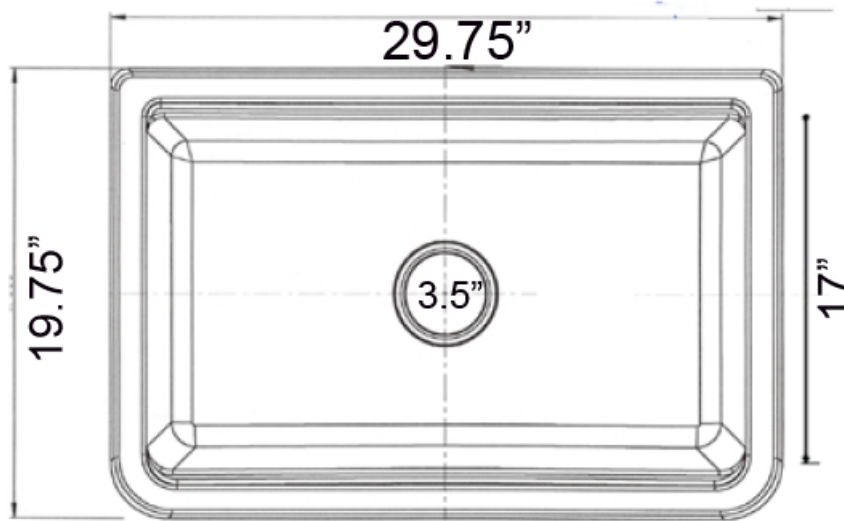
Granite Composite Reversible Farmhouse Kitchen Sink
with included Cutting Board, Rollup Mat, Matching Drain, and Disposal Trim Ring

Features:

- Apron or Custom Base Cabinet required
- Reversible Design - 2 Corner Radius Option
- Stainless Steel Roll-Up Mat (RUM 165) included
- Wood Cutting Board Included
- Due to Sink Thickness, Product may Require an Extended Flange
- Material is Sound Absorbing and Stain Resistant
- Non-Porous Surface is Hygienic and Scratch Resistant
- Inside Basin is Sloped for Superior Drainage
- Included Matching Disposal Flange and Basket Strainer

Dimensions:

- Overall Dimensions: 29.75" W x 19.75" L x 9.75"
- Interior Bowl: 27" W x 17" L
- Exterior Height: 9.75"
- Interior Depth: 9"
- Drain Dimensions: 3.5"

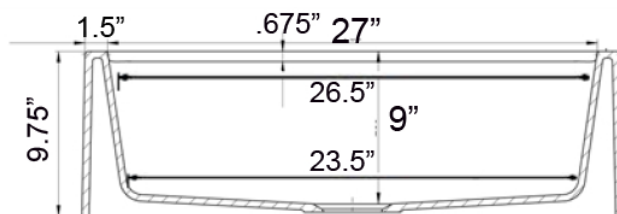


Top

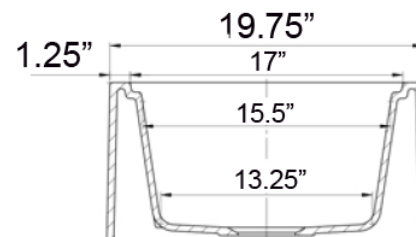
Traditional Front Apron with Rounded Corners

Reversible Mounting

Allows You the Option to Display a Rounded or Squared Corner Design



Front



Side

PR3020-APS-BL

BLACK



PR3020-APS-G

GREY



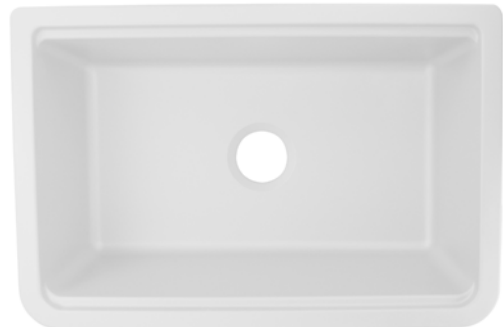
PR3020-APS-TI

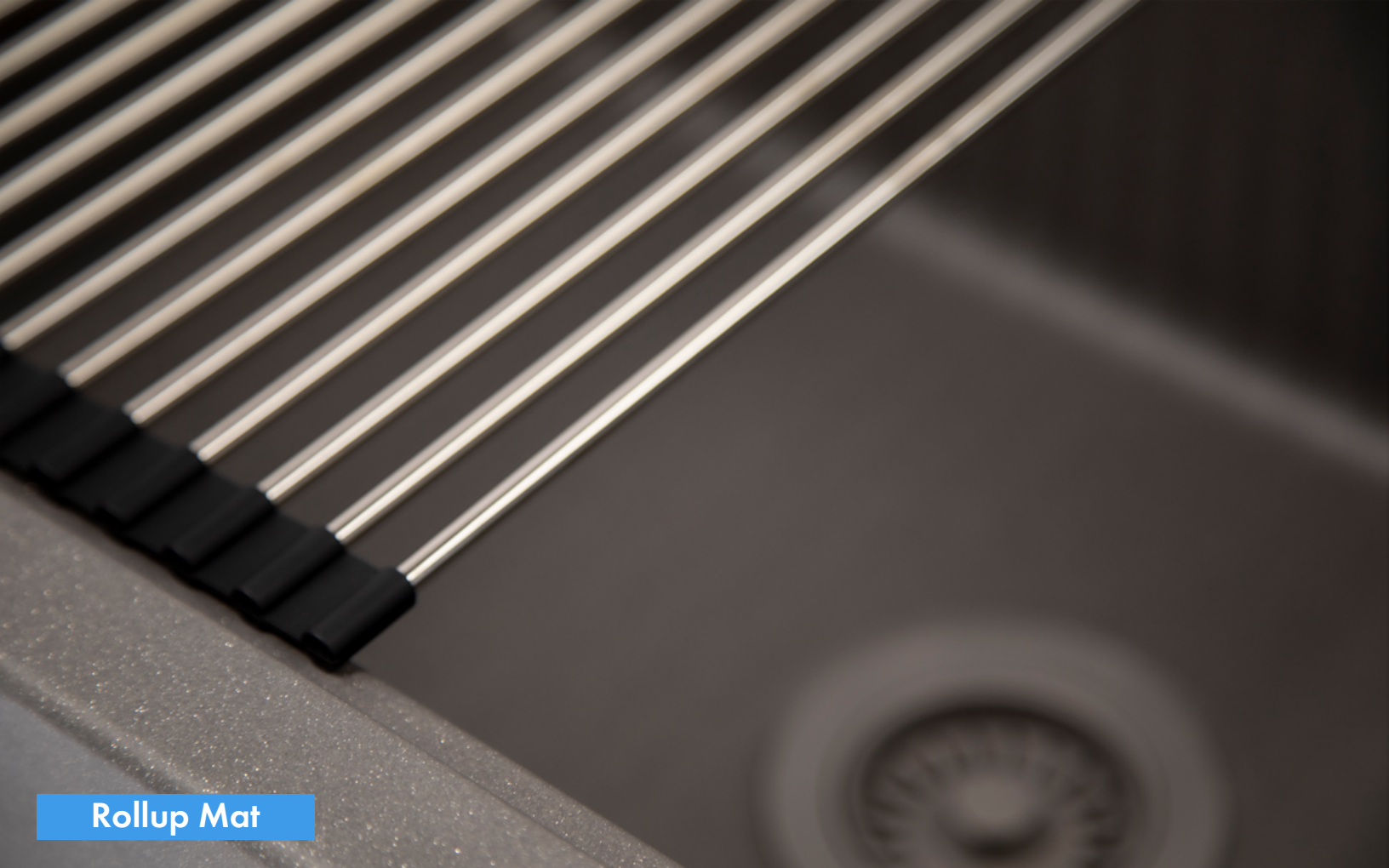
TITANIUM



PR3020-APS-W

WHITE





Rollup Mat



Cutting Board



Topmount

PR2522-DM

25x22" Dualmount
Granite Composite Laundry Sink

Black, White, Titanium, Truffle



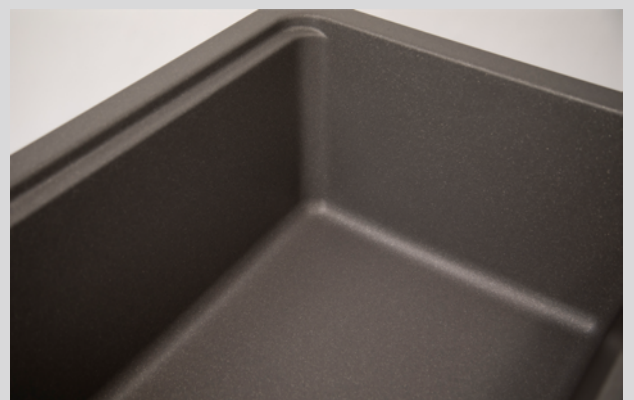


Undermount Option

PR3020-APS-W

Granite Composite Farmhouse Apron Sink Workstation

Black, White, Titanium, Grey



PR3320-APS

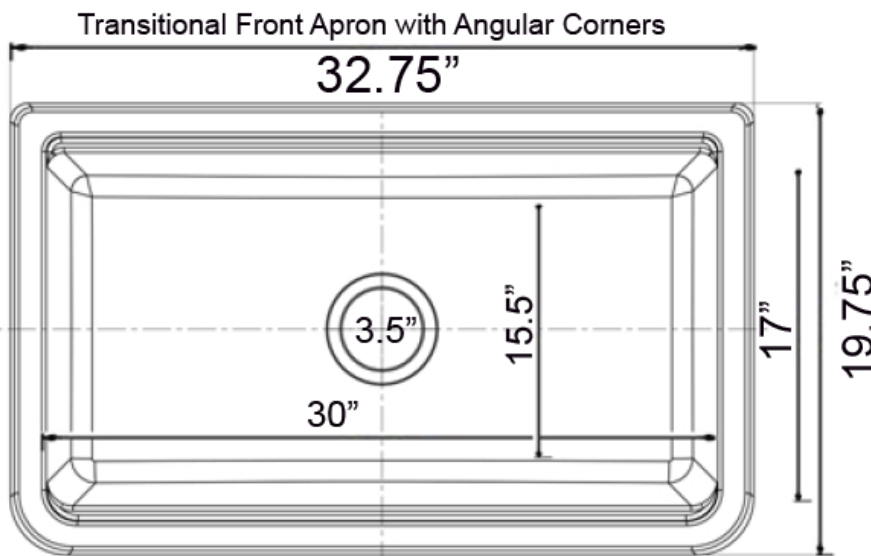
Granite Composite Farmhouse Apron Sink Workstation
with included Cutting Board, Rollup Mat, Matching Drain, and Disposal Trim Ring

Features:

- Apron or Custom Base Cabinet required
- Reversible Design - 2 Corner Radius Option
- Stainless Steel Roll-Up Mat (RUM165) included
- Wood Cutting Board Included
- Due to Sink Thickness, Product may Require an Extended Flange
- Material is Sound Absorbing and Stain Resistant
- Non-Porous Surface is Hygienic and Scratch Resistant
- Inside Basin is Sloped for Superior Drainage
- Included Matching Disposal Flange and Basket Strainer

Dimensions:

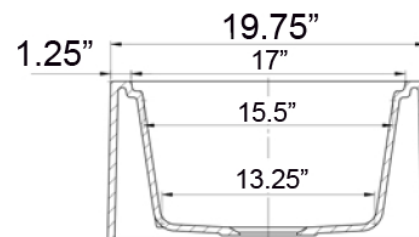
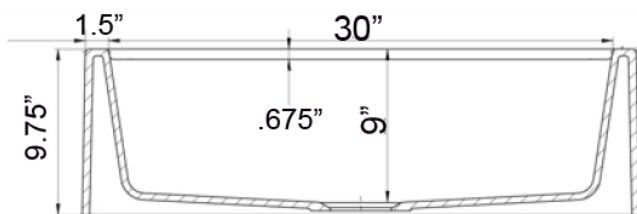
- Overall Dimensions: 32.75" W x 19.75" L x 9.75"
- Interior Bowl: 30" x 17" Top Edge
28" x 15.5" Basin
- Exterior Height: 9.75"
- Interior Depth: 9"
- Drain Dimensions: 3.5"



Reversible Mounting

Allows You the Option to Display a Rounded or Squared Corner Design

Traditional Front Apron with Rounded Corners



Front

Side

PR3320-APS-BL

BLACK



PR3320-APS-G

GREY



PR3320-APS-TI

TITANIUM



PR3320-APS-W

WHITE





PR3320-APS-BL

Nantucket

SINKS

NantucketSinks.com | (401) 295-5978

V 23.1

