



Nantucket

ORLEANS COLLECTION European Fireclay



Nantucket
S I N K S

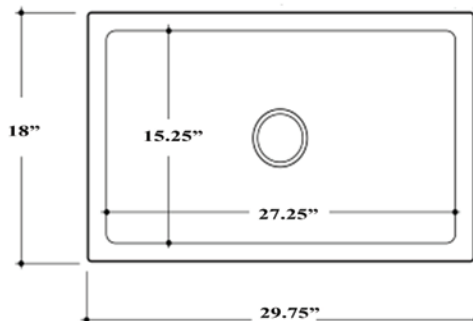
NantucketSinksUSA.com

SHOWROOM ONLY
COLLECTION



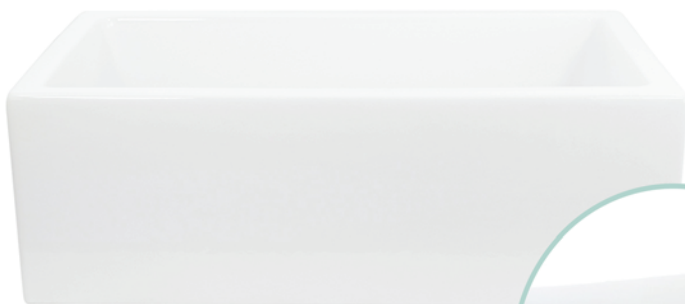
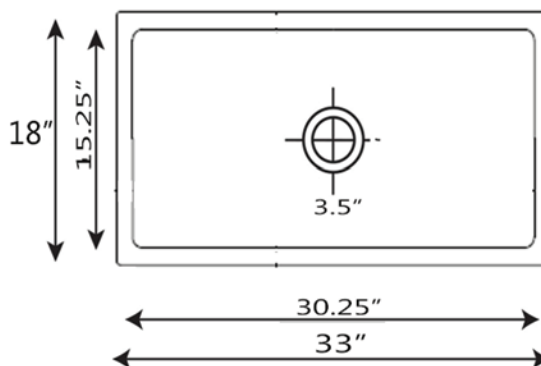
Nantucket

30" Reversible Italian Fireclay Farmhouse Sink



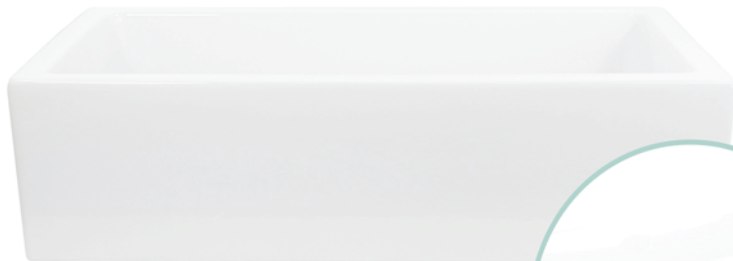
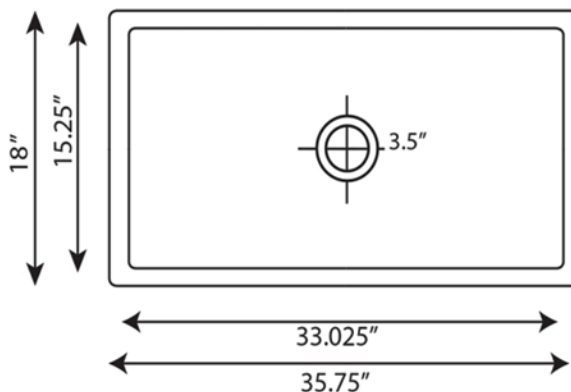
Exterior Dimensions: 29.75" x 18"
Interior Dimensions: 27.25" x 15.25"
Bowl Depth: 9"
Apron Height: 10"
Drain Dimensions: 3.5" Opening

33" Reversible Italian Fireclay Farmhouse Sink



Exterior Dimensions: 33" x 18"
Interior Dimensions: 30.25" x 15.25"
Bowl Depth: 9"
Apron Height: 10"
Drain Dimensions: 3.5" Opening

36" Italian Fireclay Farmhouse Sink



Exterior Dimensions: 35.75" x 18"
Interior Dimensions: 33" x 15.25"
Bowl Depth: 8.5"
Apron Height: 10"
Drain Dimensions: 3.5" Opening

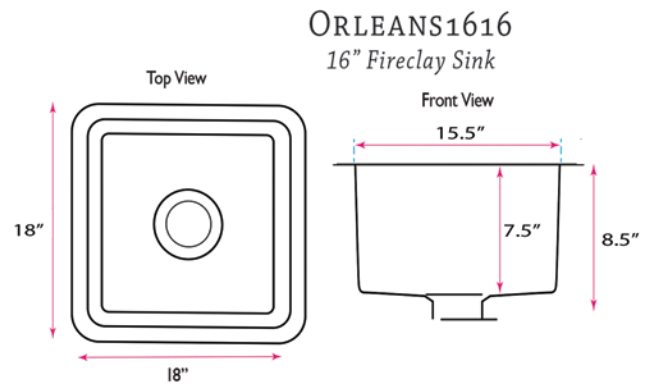
Nominal dimensions only as firing causes shrinking - piece will vary up to .5"



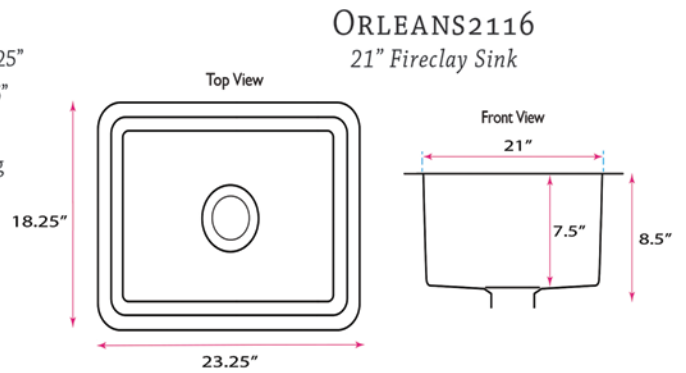
Nantucket



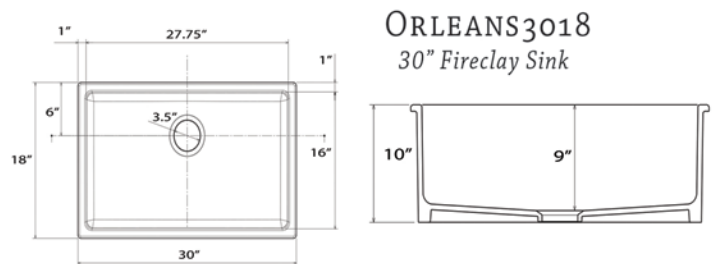
Exterior Dimensions: 18" x 18"
 Interior Dimensions: 15.5" x 15.5"
 Bowl Depth: 7.5"
 Drain Dimensions: 3.5" Opening



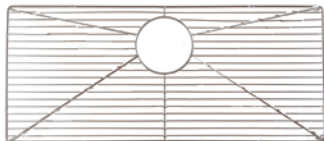
Exterior Dimensions: 23.25" x 18.25"
 Interior Dimensions: 21" x 15.75"
 Bowl Depth: 7.5"
 Drain Dimensions: 3.5" Opening



Exterior Dimensions: 30" x 18"
 Interior Dimensions: 27.75" x 16"
 Bowl Depth: 9"
 Drain Dimensions: 3.5" Opening



Optional Bottom Grid
 BG-ORLEANS3018





Fireclay Process

The two main raw materials that make up highly refined fine fireclay are Kaolin and Feldspar. The casting process uses high pressure molds. The raw materials go through milling and mixing, to produce what is called the "body slip". This slip is a liquified suspension of clay. The raw slip is pumped into molds under extreme pressure for 45 minutes. The sinks are then moved to drying chambers where they are monitored in 15 hour cycles until the humidity is reduced to the desired level. The sinks are then individually inspected for any production issues.

After thorough inspection and approval, glaze is applied in a triple rotation process along the production line to ensure maximum coverage. When the glazing is complete, they are fired in shuttle kilns for 16 hours. A specific time and temperature formula is used for maximum durability. Temperatures can reach a maximum 1200°C degrees (close to 2200°F). After the firing process is complete, another rigorous inspection again takes place for the entire production run. Only sinks that meet the accepted dimensional tolerance will become Nantucket Fireclay Sinks.

