



Nantucket
S I N K S

Installation Instructions

Farm Country Sink

NS-CS3020

Thank you for purchasing the Farm Country Sink by Nantucket Sinks. We prepared these instructions to help your installer make the process as smooth as possible. These instructions should be read prior to starting.

BEFORE YOU BEGIN...Unpack new sink and inspect carefully for damage. Replace the sink in its original packing carton to protect it until you are ready to begin installation.

CAUTION: Risk of personal injury or property damage. I agree vitreous china sinks are very heavy. Get help lifting the sink.

RECOMMENDED TOOLS & MATERIALS

Putty Knife	Pipe Wrench
Channel Locks	Drill
Adjustable Wrench	Basin Wrench
Various Carpentry Tools	Saber Saw
Tubing Cutter	Tape Measure
Plumbers' Putty or Caulking	Hacksaw
Regular Screwdriver	
Phillips Screwdriver	

PRODUCT REQUIREMENTS

This sink requires a special type of installation. Nantucket Sinks advises you to use an experienced cabinet maker or installer to ensure proper installation. We suggest the actual sink is used to make the cabinet base and support systems.

We recommend a support frame that can withstand 250-300Lbs, the product weight plus a sink full of water and pots and pans. We have included some suggestions.

COUNTERTOP DESIGN

We assume for purposes of guiding the installation all countertops are 25.5 inches deep and cabinet bases 24 inches deep.

INSTALLATION OPTIONS

The first step to discuss with the cabinet maker is the desired look of the sink. Will the whole sink be exposed, only the apron, only the back with the front undermounted? There are many options for you to decide on before the cabinet maker begins.





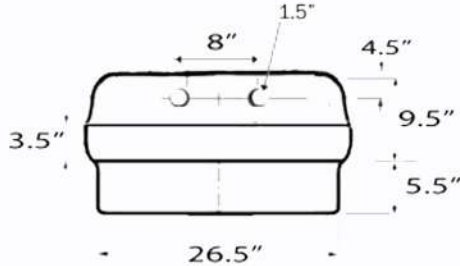
Nantucket
S I N K S

Installation Instructions

Farm Country Sink

NS-CS3020

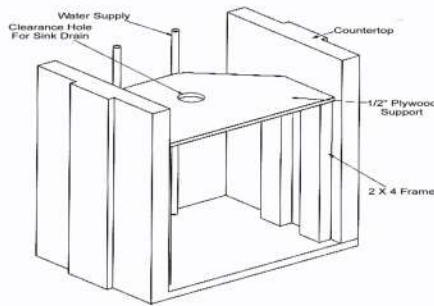
1



ACTUAL SINK

The Farm Country Sink is made of high density vitreous. Due to nature of earthenware the sink size may vary slightly.

2

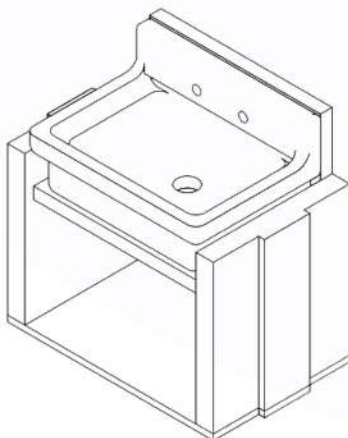


CONSTRUCT A CABINET SUPPORT FRAME

Construct support inside the cabinet frame using 2x4 studs and plywood. Keep space for supply lines to be accessed through the area to the top of the sink backsplash.

If using a solid sheet under the sink, line the sink up in position and mark the drain opening. Then cut the hole 2 inches larger to accommodate tightening the drain connection. Please remember to hand tighten the drain connection. Over tightening will crack the sink.

3



PROVISIONALLY INSTALL THE SINK ONCE THE SUPPORT FRAME IS BUILT.

CAUTION: Risk of personal injury or property damage. Large vitreous china sinks are very heavy. Get help lifting the sink. Check for alignment and clearance, then trace around the outside edge of the sink as a guide for installation location and application of sealant.

Remove sink.



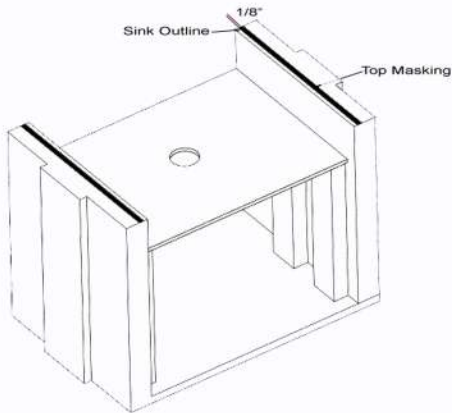
Nantucket
S I N K S

Installation Instructions

Farm Country Sink

NS-CS3020

4



MASK COUNTERTOP

Please make sure two people lift the sink in place. The sink is too heavy for one person. Mark the outside of the sink with masking tape to determine the line for caulking the cap.

Apply a bead of silicone inside of the masking tape line to the edge of the counter to create a seal between the sink and counter. Please the sink in position. Remove excess silicone with a clean wet rag. Remove the masking tape.

5

MOUNT FAUCET INSTALL DRAIN

Follow Faucet company installation instructions.

Do not overtighten faucet connections as it is possible to crack the sink.

Use caution and hand tighten.

Install Drain, do not overtighten

WARRANTY

Nantucket Sinks warrants the quality of its ceramic sinks to be free of any manufacturing defects in the workmanship or the material composition when installed properly and used in a residential application. This warrant is extended to the original purchaser of the Nantucket Sinks ceramic sink.